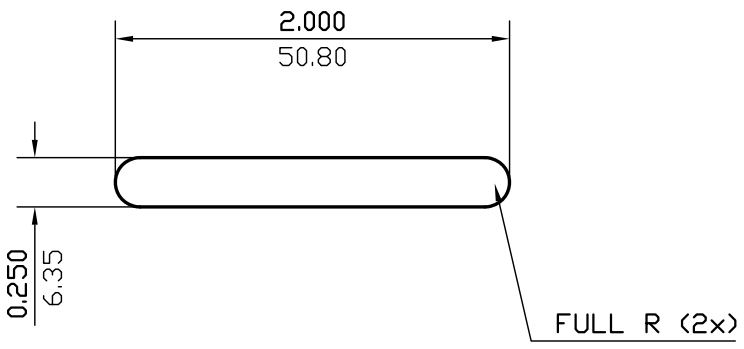


NOTE: BREAK ALL CORNERS WITH 0.015" (.38 MM) RADIUS UNLESS OTHERWISE NOTED. STANDARD TOLERANCES TO APPLY UNLESS OTHERWISE SPECIFIED.

|  |                                 |                               |
|--|---------------------------------|-------------------------------|
| CUSTOMER PART No.                                      | CUSTOMER<br><b>CAN ART STD.</b> | DIE No.<br><b>ES05663</b>     |
| DESCRIPTION<br><b>2" x .250" FLAT BAR W/ FULL RAD.</b> |                                 | PROPOSAL No.<br><b>S-9883</b> |



WALL THICKNESS (AS SHOWN) EXCEPT AS SHOWN

| DATE     | REV       | DESCRIPTION      | BY                   |
|----------|-----------|------------------|----------------------|
| 03/17/23 | 1         | REMOVED ALLOY    | JASON                |
| EST.AREA | 0.487     | IN. <sup>2</sup> | EST.AREA 313.929     |
|          |           |                  | MM. <sup>2</sup>     |
| EST.WT.  | 0.584     | LBS/FT.          | EST.WT. 0.869        |
|          |           |                  | KG/M.                |
| EST.PER. | 4.285     | IN.              | EST.PER. 108.849     |
|          |           |                  | MM.                  |
| OUT PER. |           | IN.              | OUT PER.             |
|          |           |                  | MM.                  |
| C.C.D.   | 2.000     | IN.              | C.C.D. 50.800        |
|          |           |                  | MM.                  |
| FACTOR   | 7         | FINISH           | M/F                  |
|          |           | ALLOY & TEMP.    |                      |
| CKD BY   | SCALE 1:1 | DWN BY           | C.P. DATE 06/23/2000 |

# CAN ART

85 PARKSHORE DRIVE  
 BRAMPTON, ONT L6T 5M1  
 TEL. NO. (905) 791-1464  
 FAX NO. (905) 791-9151  
 E-MAIL: canart@canart.com

ALUMINUM EXTRUSION INC.

THIS DRAWING IS NOT NECESSARILY A COPY OF YOUR ORIGINAL. PLEASE APPROVE DIMENSIONS AND TOLERANCES INDICATED. CAN ART ASSUMES NO RESPONSIBILITY EITHER TECHNICAL OR LEGAL FOR HAVING THIS SHAPE MADE. THE CUSTOMER AGREES TO FULLY PROTECT CAN ART ALUMINUM FROM CLAIMS OF OTHERS RESULTING FROM THIS SHAPE.

SIGNED: \_\_\_\_\_ DATE: \_\_\_\_\_